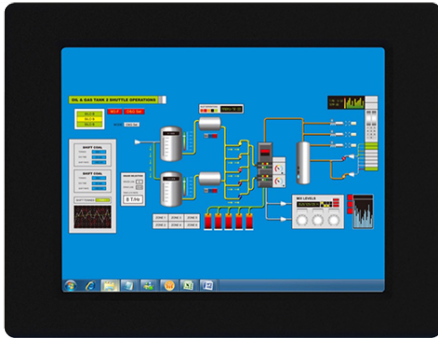




ARP-3610AP

Panel Mount Panel PC with 10.4" 5-Wire Resistive Touch



Features

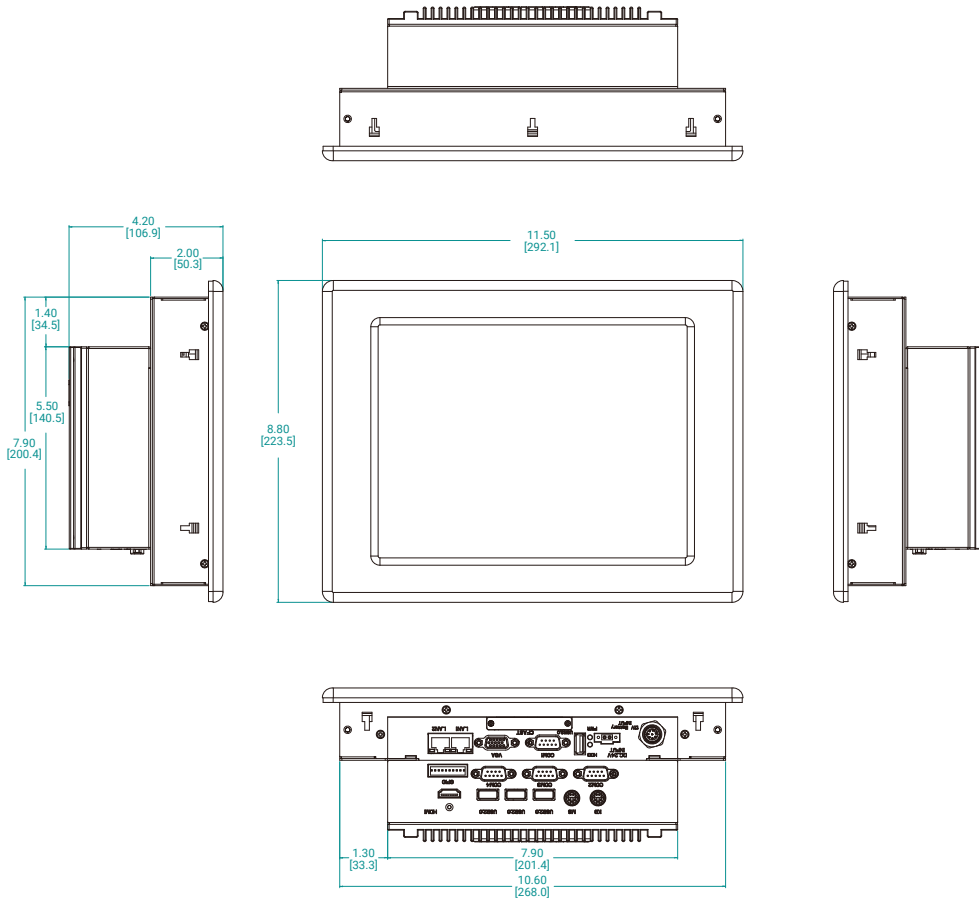
- 10.4" LCD, 1280 x 800 Resolution
- 5-Wire Resistive Touch
- Aluminum or Stainless-Steel Bezel
- Intel Celeron J1900 @ 1.99GHz / Atom E3845 @ 1.91GHz CPU
- Up to 8GB DDR3 SO-DIMM
- Optional 2.5" SSD
- Dual Gigabit Ethernet
- 4 x RS-232/422/485 BIOS Selectable
- 1 x 8-bit GPIO (4-bit Input, 4-bit Output)
- 1 x USB 3.0, 3 x USB 2.0 ports

Specifications

Model Name	ARP-3610AP-E01
LCD Display	
Display Size (Diagonal)	10.4 inch
Resolution	800 x 600
Backlight Lifetime (Hours)	50,000 hours
Visual Characteristics	
Colors	16.2 million
Aspect Ratio	4:3
Viewing Angle (V/H)	140° / 170°
Contrast Ratio	700 : 1
Brightness	400 nits (Typical)
Touchscreen	
Technology	5 Wire Resistive
Interface	USB
Driver	Windows 7, 8 & 10
Front Bezel	
NEMA 4	Black Powder Coated Aluminum
NEMA 4x	Stainless Steel (Optional)
System	
CPU	Intel Celeron J1900 @ 1.99GHz / Atom E3845 @ 1.91GHz CPU
Chipset	Bay Trail
Memory	Up to 8GB DDR3 SO-DIMM
Video Controller	Intel Gen7 Intel Graphics DX 11, OGL3.2
External Video Output	VGA, HDMI
Storage Option	2.5" SSD,
CFast Card	Optional
Keyboard / Mouse	USB / PS2
Audio	N/A
Watchdog Timer	Programmable 1 - 255 sec
Remote Boot	ThinManager Ready, PXE
Expansion Slot	Mini PCIe x 2
I/O Communication	
USB Port	1 x USB 3.0, 3 x USB 2.0
Serial Port	4 x RS-232/422/485 BIOS Selectable
IEEE 1394	N/A
LAN	2 x Gigabit
Parallel	N/A
GPIO	4 x DI, 4 x DO
Smart Battery	
External Smart Battery	Optional
OS Support	
OS Support	Windows 7, 8 & 10
Power/Thermal Specs	
Power Requirement (Max)	24VDC / 0.75A
Power Consumption (Max)	18 W
Recommended Power Supply	26 W
Heat Dissipation	62 BTU/hr
Physical Information	
Mounting	Panel Mount
Net Weight	8 Lbs / 3.63 Kg
Dimension (W x H x D)	11.50 x 8.80 x 4.20 inch 292.1 x 223.5 x 106.9 mm
Recommended Cutout Dimension (WxH)	10.80 x 8.10 inch 273.0 x 205.4 mm
Environmental	
Operating Temperature	0~50°C (32~122°F)
Storage Temperature	-20~60°C (-4~140°F)
Relative Humidity	0~95%
IP/NEMA Rating	Bezel meets NEMA 4/4X requirement
Certification	UL 61010

Dimension Drawing

Model Name: ARP-3610AP-E01
 Size Unit: inch(mm)



Ordering Information

Item	ARP-3610AP-E01-003	ARP-3610AP-E01-007
LCD Display	10.4" LCD / 800 x 600	10.4" LCD / 800 x 600
Touch Screen	5-Wire Resistive Touch	5-Wire Resistive Touch
Bezel	Black Powder Coated Aluminum	Stainless Steel
CPU	Intel Celeron J1900 @ 1.99GHz / Atom E3845 @ 1.91GHz CPU	Intel Celeron J1900 @ 1.99GHz / Atom E3845 @ 1.91GHz CPU
Memory	4GB DDR3	4GB DDR3
Storage	N/A	N/A
Remote Boot	ThinManager Ready	ThinManager Ready
Power Supply	110/220VAC Input DIN-Rail	110/220VAC Input DIN-Rail

Item	ARP-3610AP-E01-031	ARP-3610AP-E01-035
LCD Display	10.4" LCD / 800 x 600	10.4" LCD / 800 x 600
Touch Screen	5-Wire Resistive Touch	5-Wire Resistive Touch
Bezel	Black Powder Coated Aluminum	Stainless Steel
CPU	Intel Celeron J1900 @ 1.99GHz / Atom E3845 @ 1.91GHz CPU	Intel Celeron J1900 @ 1.99GHz / Atom E3845 @ 1.91GHz CPU
Memory	8GB DDR3	8GB DDR3
Storage	2.5" SATA SSD	2.5" SATA SSD
Remote Boot	N/A	N/A
Power Supply	110/220VAC Input DIN-Rail	110/220VAC Input DIN-Rail